

# Series 5200

## Octagonal Davit Pole

# Technical Specifications

### Technical Data

#### Steel Materials:

Shaft - 44KSI Min Yield.  
 Base Plate - 44 KSI Min Yield  
 Anchor Bolts - 44 KSI Min Yield

#### Welding:

Welding conforms to the specifications of  
 CSA W47, W47.1, W59 & W59.1

#### Concrete Min. Yield:

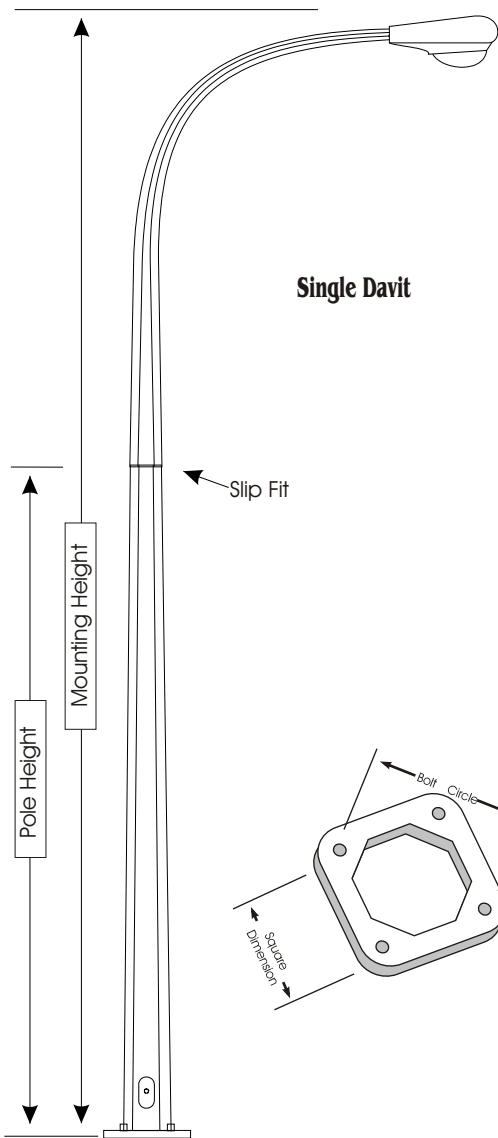
3500 P.S.I.

#### Finishes:

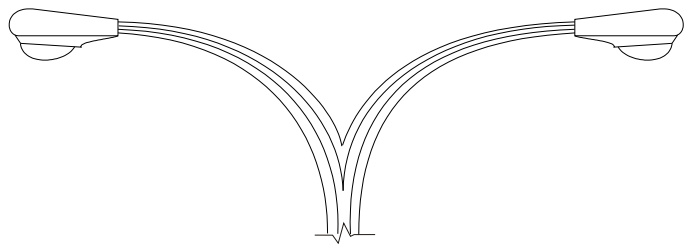
Hot Dipped Galvanized, Polyester Powder  
 (Polyonic), or Galaxy

Note: Drawings Pictorial Only.

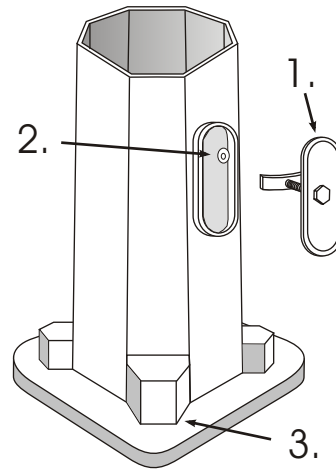
Series	Height	Max EPA@70MPH	Weight	BCD	A/Bolts	A/B Projection
5215	15'	25	71	8"	5/8"x18"	2.5"
5220	20'	13	138	8"	5/8"x18"	2.5"
5225	25'	10	176	8"	3/4"x24"	2.5"
5230	30'	13	243	9"	3/4"x24"	2.5"
5235	35'	13	309	10"	1"x30"	4"
5240	40'	11.5	387	11"	1"x30"	4"



Single Davit



Double Davit



1. Handhole cover with Gasket Hardware.
2. 1/4" National Course Ground Stud.
3. Nut Covers (Base Covers Optional)

www.valmontwce.com

**valmont**   
 WEST COAST ENGINEERING

**Barrie, ON:**  
 Valmont West Coast Engineering  
 100 Ellis Drive, Barrie, ON L4N 9B2 Canada  
 Phone 800-645-1664  
 Fax 800-367-1449